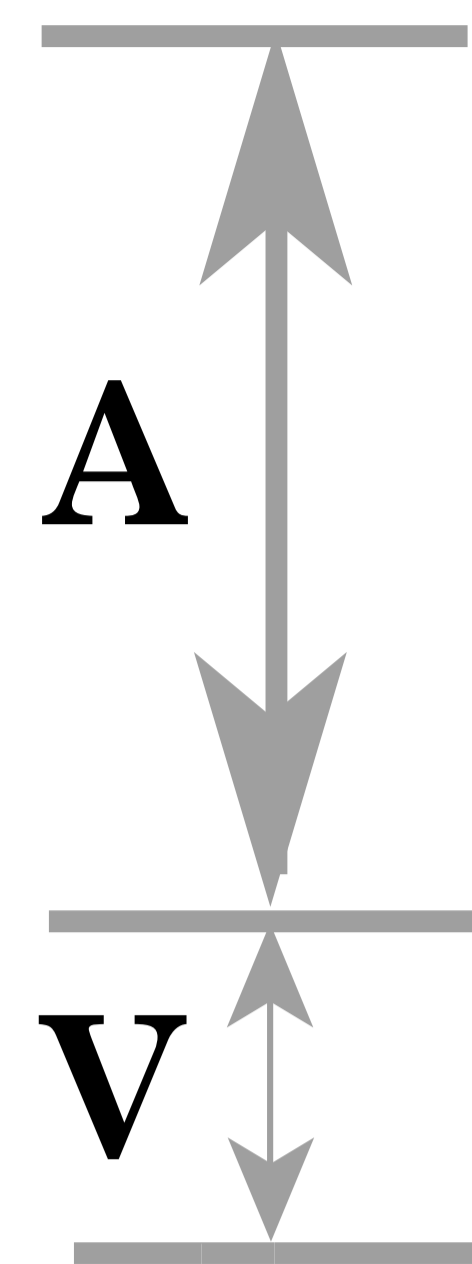
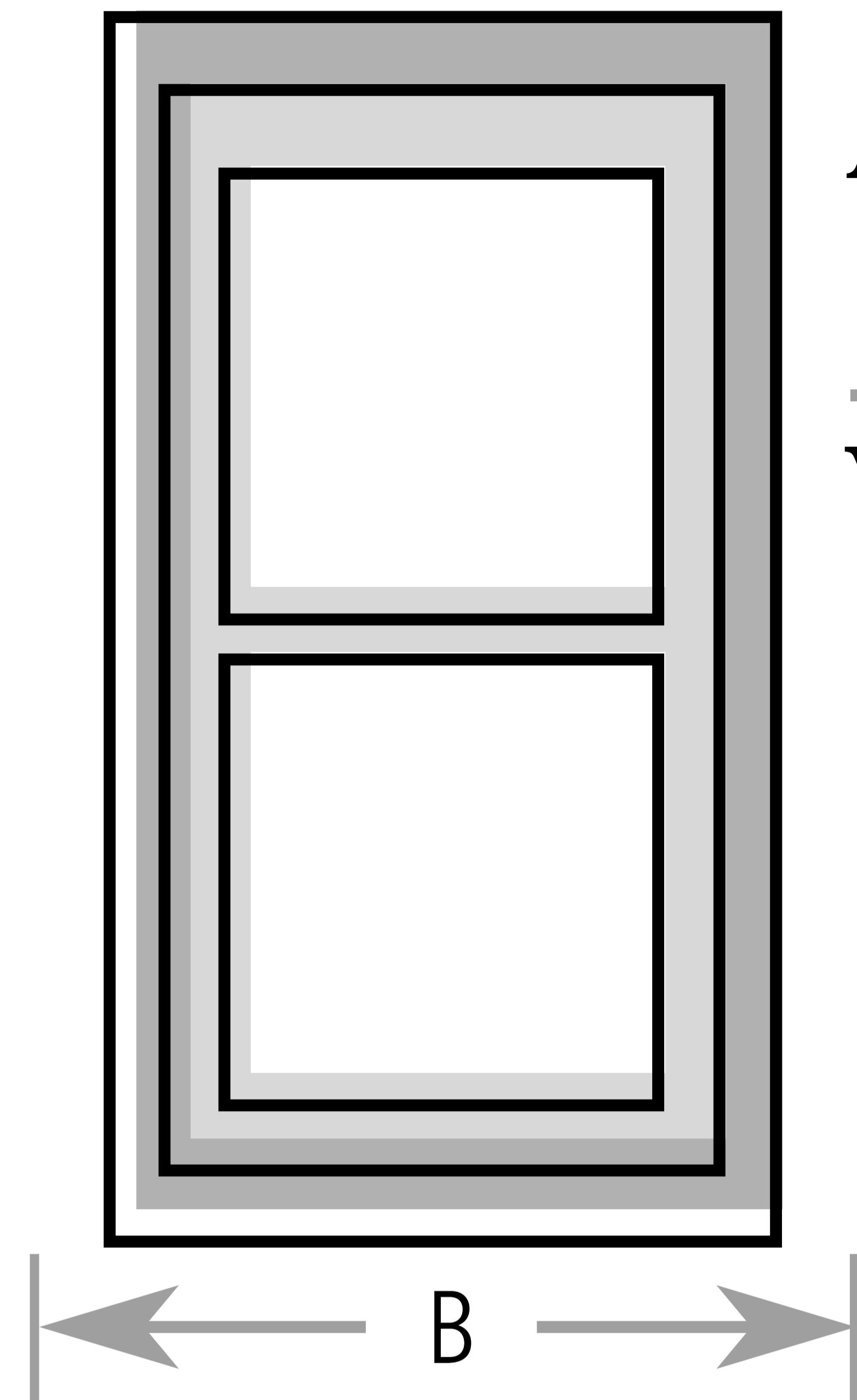


Note: For the best protection;
the awning should cover a
minimum of 1/3 of the window

The awning needs to be 4 1/2"
above the head of the opening

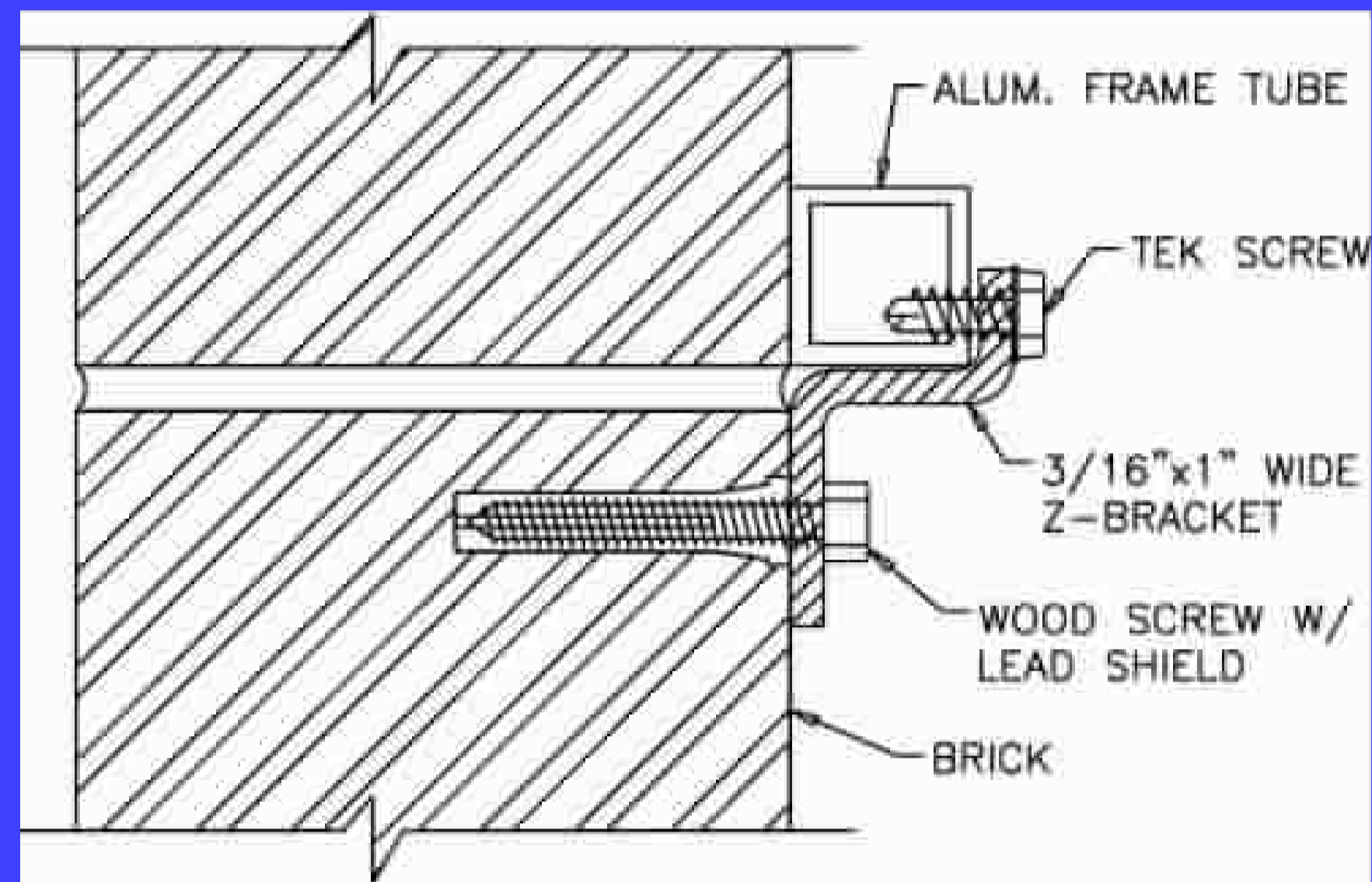


"A" = the height of the
awning not including
the Valance

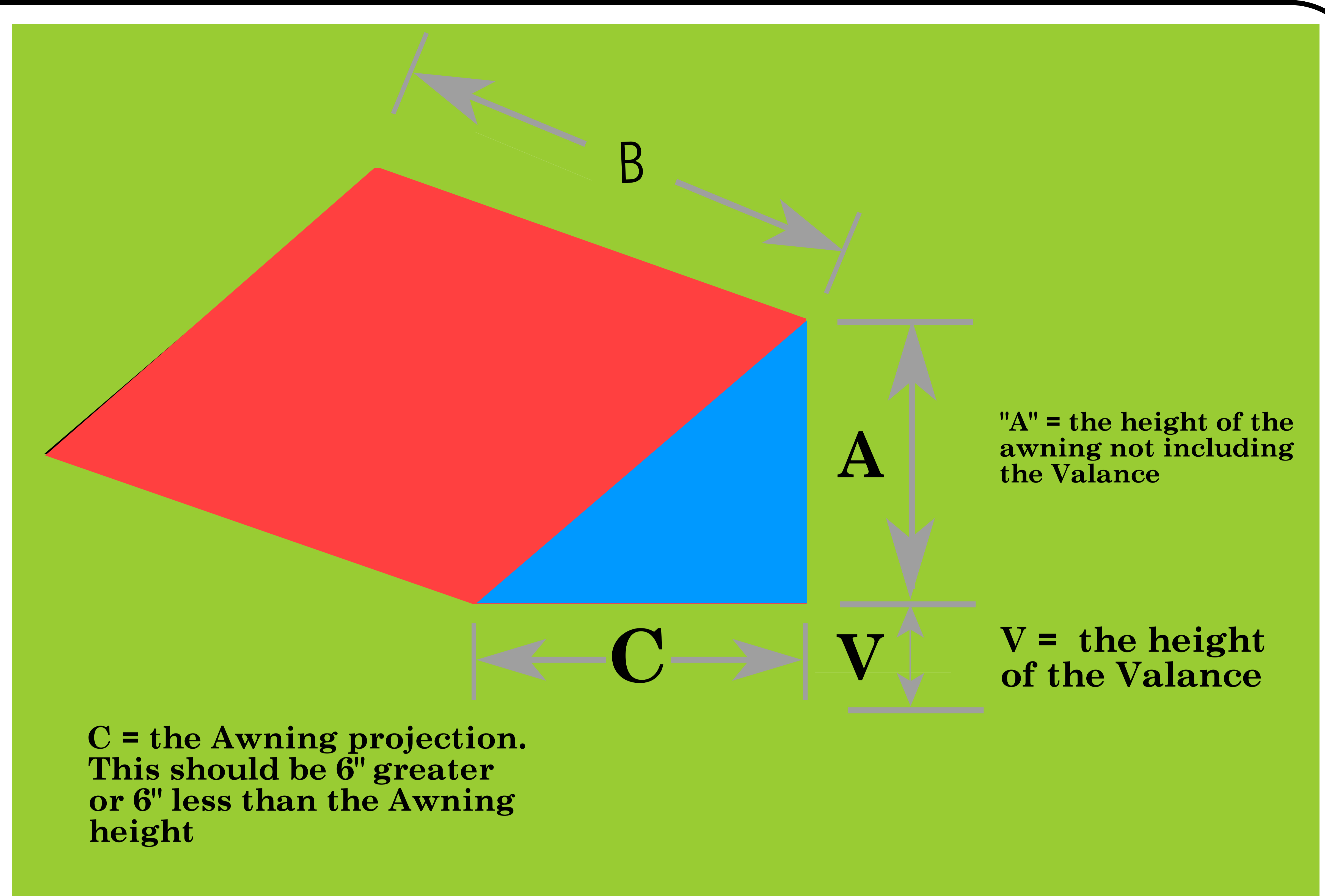
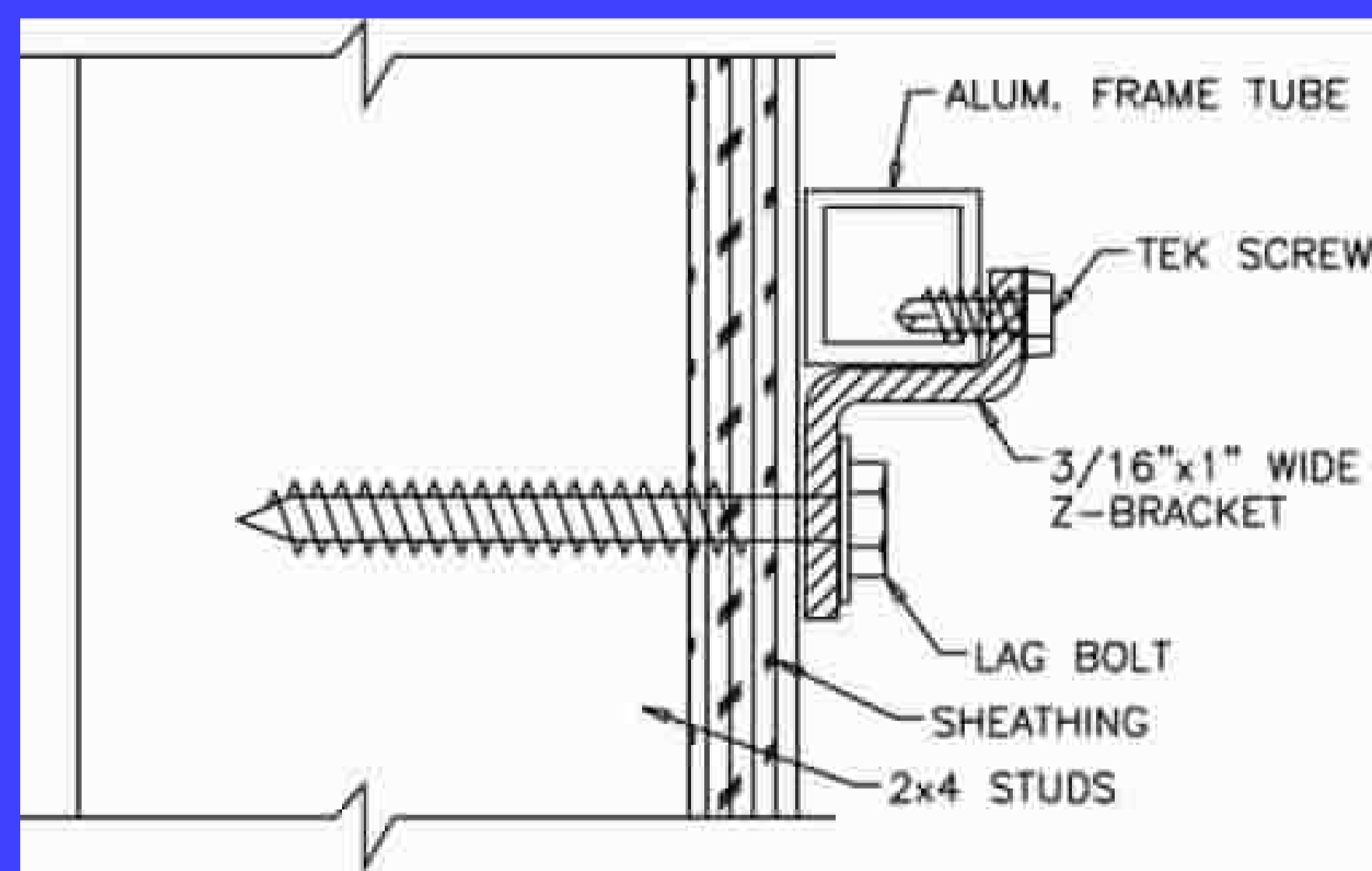
V = the height
of the Valance

B = the awning width.
The awning should finish
4" beyond the outside of
the opening

Brick wall attachment



Wood wall attachment



Features:

- * Aluminum Frame
- * Solid or Stripe Fabric
- * Mounting hardware
- * 5 year warranty



972-298-4943
P.O. Box 238
Cedar Hill, TX. 75106

www.childresproducts.com
info@childresproducts.com

Awning Measuring Information

Easy to order
Easy to install